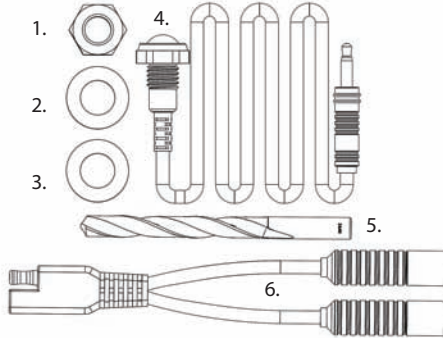


YP-LEDK-BLB2 YP-LEDK-BLG2  
YP-LEDK-BLR2 YP-LEDK-BLW2



- 1. 2 ea. Nut
- 2. 2 ea. Black nylon washer
- 3. 2 ea. Rubber gasket
- 4. 2 ea. Complete LED assembly
- 5. 1 ea. Drill bit
- 6. 1 ea. SAE Y-Splitter

Southern Audio Services, Inc.. 14763 Florida Blvd., Baton Rouge, La 70819 225-272-7135 or 1-800-843-8823 [www.yak-power.com](http://www.yak-power.com), [www.southernaudioservices.com](http://www.southernaudioservices.com)

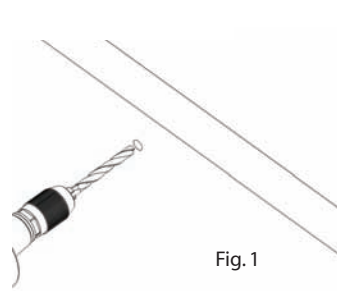


Fig. 1

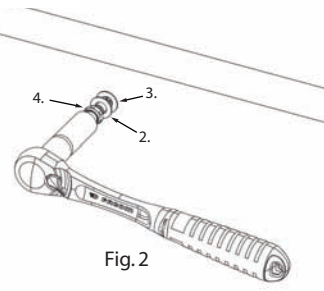


Fig. 2

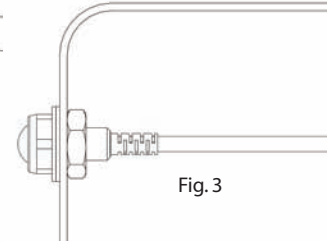


Fig. 3

1. Make sure there is at least 0.75" of clearance from the face of the mounting surface. If not the LED fitting will not seat properly. (Fig. 1)
2. Use the provided drill bit or a 23/64 (9mm) bit to drill the mounting hole. (Fig. 1)
3. YP-LED fittings are designed to be screwed into a kayak hull with a 5/8" socket wrench. There is no need to use a backing nut in most cases. (Fig. 2)

4. Use the rubber gasket between boat hull and nylon washer. (Fig. 2.) You may use silicone on the threads if concerned with the chance of leakage.
5. When mounting the YP-LED fittings on thin plastic or in metal, use a 25/64 (10 mm.) drill bit. Use the provided backing nut (Fig. 3)

YP-LEDK-BLB2 YP-LEDK-BLG2  
YP-LEDK-BLR2 YP-LEDK-BLW2

The 3.5 mm plugs are inserted into the SAE Y-Splitter. The SAE end of the Y-Splitter can be attached to power by using any of the following optional components:

- YP-RP5R
- YP-BTP12
- YP-BTP96
- YP-BBK
- YP-SS148
- YP-RP5CSIH
- YP-RP5CS3

